

Accutorr[®]7

Specifications

Interfacing

Connectors: Network port
2 USB ports
Multifunctional port

Battery

Type: Rechargeable lithium ion
Run Time: Up to 8 hours when powered by a new fully-charged battery at 77°F±41°F (25°C±5°C) with SpO₂ and NIBP measurements at an interval of 15 minutes.

Charge Time

Monitor Power Off: Less than 5.5 hours to 90%;
Less than 6.5 hours to 100%
Monitor Power On: Less than 10.5 hours to 90%;
Less than 11.5 hours to 100%

Physical Dimensions

Monitor Size: 10.2" (H) x 6.9" (W) x 6.9" (D)
25.9 cm (H) x 17.5 cm (W) x 17.5 cm (D)
Monitor Weight: <5.5 lbs (<2.5 kg) including battery

Environmental Conditions

Operating Temperature: 0°C to 40°C (SmarTemp™: 5°C to 40°C)
Operating Humidity: 15% to 95%, non-condensing
Barometric: 427.5 to 805.5 mmHg (57.0 to 107.4 kPa)

Power Requirements

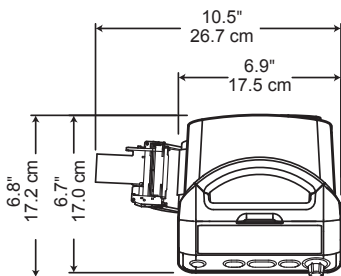
100 to 240 VAC, 0.9 to 0.5 A, 50/60 Hz

Safety

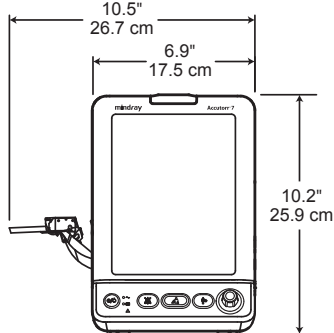
Type of Protection: Meets the requirements of IEC 60601 series



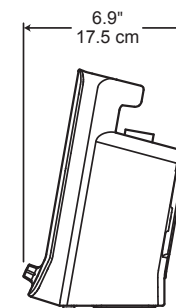
Top



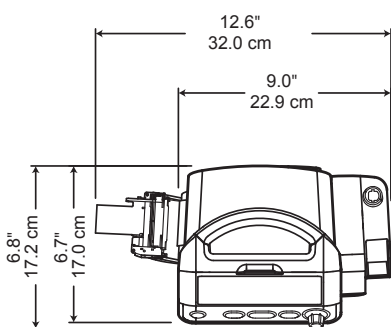
Front



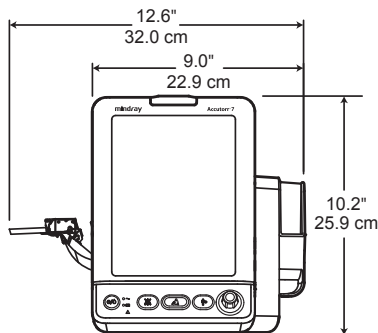
Side



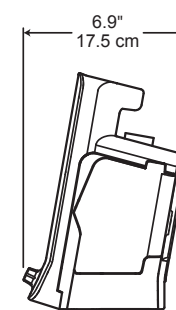
Top with Temperature



Front with Temperature



Side with Temperature



Accutorr[®] 7

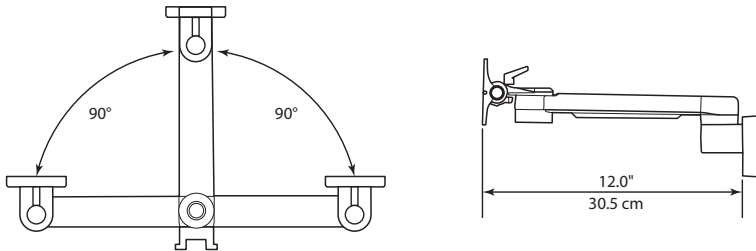
Specifications

Mounting Solutions

Pivot Arm Wall Mount

Moment Load: 60 lbs (27.2 kg)

Lateral Range of Motion

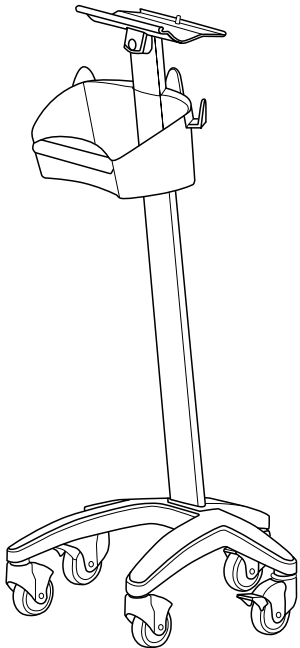


Rolling Stand

Dimension: 47" (H) x 27" (W) x 27" (D)
119.4 cm (H) x 68.6 cm (W) x 68.6 cm (D)

Moment Load: 35 lbs (15.9 kg)

Max Head Tilt: 10 degrees



Mindray DS USA, Inc.

800 MacArthur Blvd., Mahwah, NJ 07430

Tel: 800.288.2121 Tel: 201.995.8000 Fax: 800.926.4275 www.mindray.com

©2014 Mindray DS USA, Inc.

Mindray[®] is a registered trademark of Shenzhen Mindray Bio-Medical Electronics Co., Ltd.

01/15 P/N: 0002-08-6382 Rev B

mindray
NORTH AMERICA