

Passport[®] 12

Specifications

Physical Dimensions

Monitor Size: 27.6 cm (H) x 13.7 cm (D) x 32.2 cm (W)
10.9" (H) x 5.4"(D) x 12.7" (W)

Weight: 4.5 kg (10 lbs) (Standard parameters configuration, including 2 lithium batteries and a recorder)

Input/Output Communications ECG Analog Output Specification

Bandwidth (-3dB; reference frequency: 10Hz)
Diagnostic Mode: 0.05 to 150 Hz
Monitor Mode: 0.5 to 40 Hz
Surgical Mode: 1 to 20 Hz
ST Mode: 0.05 to 40 Hz
Maximum Transmission Delay: ≤30 ms
Sensitivity: 1V/mV ±5%

Pacer Enhancement

Amplitude: $V_{oh} \geq 2.5V$
Width: 10ms±5%
Signal Rising and Falling Time: ≤100μs

Communication Protocol

DIAP Communication Protocol
HL7 Communication Protocol

Electrical Ratings

Power Supply: AC power, battery

AC Mains Power Source

AC Power: 100 to 240 VAC (±10%)
Current: 1.3 to 0.5 A
AC Power Input Frequency: 50/60 Hz (±3Hz)

Environmental Conditions

Temperature Range

Operating: 10°C to 40°C
Non-operating (storage): -20°C to 60°C

Humidity Range

Operating: 15% to 95%, non-condensing
Non-operating (storage): 10% to 95%, non-condensing

Altitude Range

Operating: (-1,000 to 9,841 feet ASL)
1,074 hPa to 700 hPa
(806 mmHg to 394 mmHg)
Non-operating (storage): (-1,000 to 15,000 feet ASL)
1,074 hPa to 700 hPa
(806 mmHg to 394 mmHg)



Monitor Interface

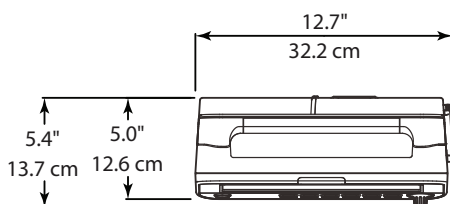
1 AC Power Input
Connectors:

1 RJ45 connector, 100 Base-TX, IEEE 802.3
1 VGA connector
2 USB 2.0
1 Equipotential Grounding Terminal
1 Multifunctional connector: Outputs defibrillator synchronization signals, nurse call signals and analog output signals

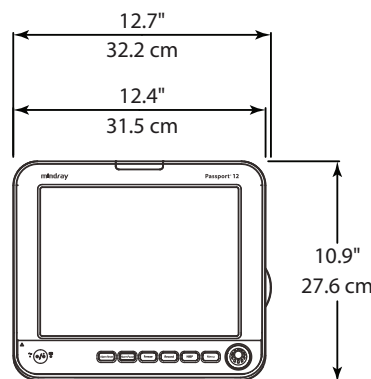
Battery

Type: Chargeable Lithium-Ion, 11.1DVC, 4.5 Ah
Number of Batteries: 2
Run Time: ≥ 4 hours when powered by one new fully-charged battery (25°C, SpO₂, ECG, disconnected from Temp cable, Auto NIBP measurements at intervals of 15 minutes)
≥ 8 hours when powered by two new fully-charged batteries (25°C, SpO₂ sensor and ECG cable connected, Temp cable not connected, Auto NIBP measurements at an interval of 15 minutes)
Charge Time: Less than 3 hours to 90%, and less than 4 hours to 100% when the monitor is off.
Less than 8 hours to 90%, and less than 12 hours to 100% when the monitor is on.
Shutdown Delay: at least 20 min (after a low battery alarm first occurs)

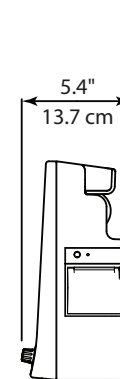
Top



Front



Side



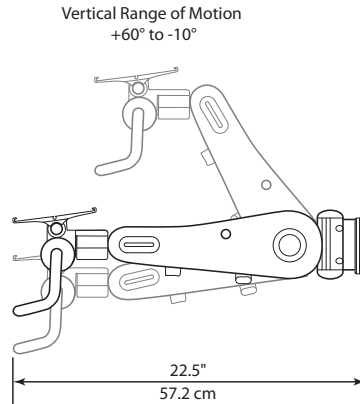
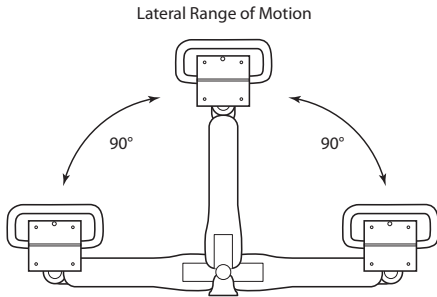
Passport® 12

Specifications

Mounting Solutions

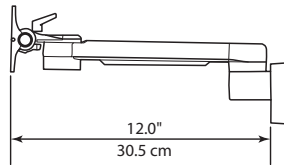
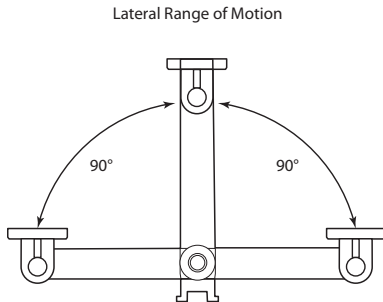
Variable Height Mount (VHM)

Moment Load: 40 lbs (18.1 kg)



Pivot Arm Wall Mount

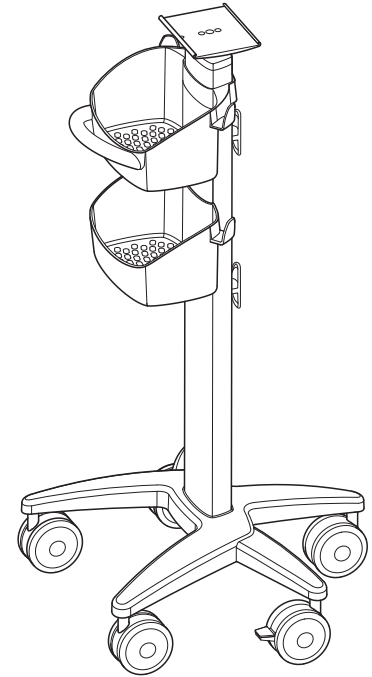
Moment Load: 60 lbs (27.2 kg)



Rolling Stand

Dimension: 47" (H) x 27" (W) x 27" (D)
119.4 cm (H) x 68.6 cm (W) x 68.6 cm (D)

Moment Load: 35 lbs (15.9 kg)



Mindray DS USA, Inc.
800 MacArthur Blvd., Mahwah, NJ 07430
Tel: 800.288.2121 Tel: 201.995.8000 Fax: 800.926.4275 www.mindray.com

©2015 Mindray DS USA, Inc.
Mindray® is a registered trademark of Shenzhen Mindray Bio-Medical Electronics Co., Ltd.
03/15 P/N: 0002-08-8005 Rev B

mindray
NORTH AMERICA