

Passport® 12m

Physical Specifications

Physical Dimensions

Monitor Size: 29.7 cm (H) x 33.6 cm (W) x 18.7 cm (D)
11.7" (H) x 13.2" (W) x 7.4" (D)

Monitor Weight: 7.5 kg (16.5 lbs) without modules, batteries, accessories and recorder

Electrical Ratings

Power Supply: AC power, battery

AC Mains Power Source

AC Power: 100 to 240 VAC (±10%)
Current: 2.5 to 1.4 A
AC Power Input Frequency: 50/60 Hz (±3Hz)

Environmental Conditions

Temperature Range

Operating: 0°C to 40°C
Non-operating (storage): -20°C to 60°C

Humidity Range

Operating: 15% to 95%, non-condensing
Non-operating (storage): 10% to 95%, non-condensing

Barometric

Operating: 427.5 to 805.5 mmHg
Non-operating (storage): 120 to 805.5 mmHg

Monitor Interface

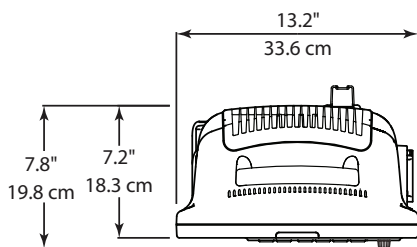
Power: 1 AC power input connector
Wired Network: 1 RJ45 connector, 100 Base-TX, IEEE 802.3
USB: 4 connectors, USB 1.1;
SMR Connector: 1 connector, not standard USB
CF: 50-pin CF revision 2.0 connector
Video Interface: 1 connector, standard DVI-D
Nurse Call: 1 connector, standard BNC
Equipotential Grounding Terminal: 1 terminal
Micro-D Connector: 1 connector, standard Micro-D



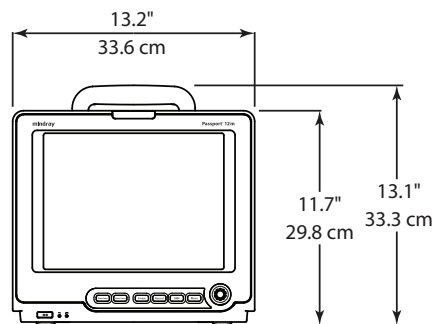
Battery

Type: Chargeable Lithium-Ion, 11.1 VDC, 4.5 Ah
Number of Batteries: 1 or 2
Run Time: 330 minutes when powered by two new fully-charged battery (25°C, SpO₂, ECG, disconnected from Temp cable, Auto NIBP measurements at intervals of 15 minutes)
Charge Time: Less than 5 hours to 90%, and less than 6 hours to 100% when the monitor is off.
Shutdown Delay: At least 5 min (after a low battery alarm first occurs)

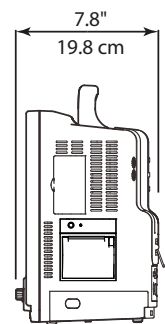
Top



Front



Side



Passport® 12m

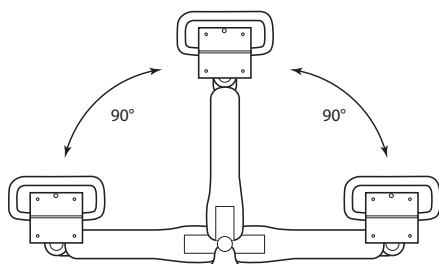
Physical Specifications

Mounting Solutions

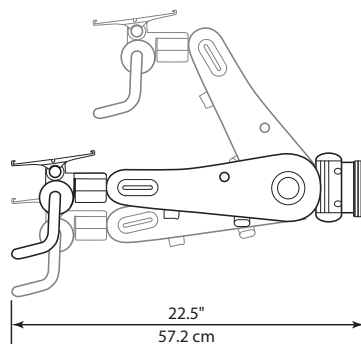
Variable Height Mount (VHM)

Moment Load: 40 lbs (18.1 kg)

Lateral Range of Motion



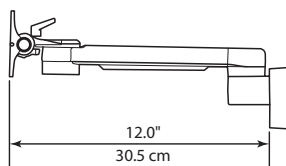
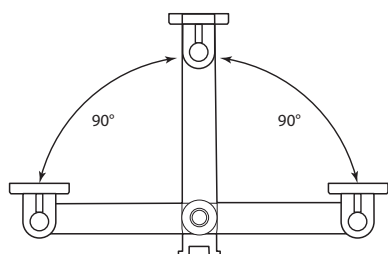
Vertical Range of Motion
+60° to -10°



Pivot Arm Wall Mount

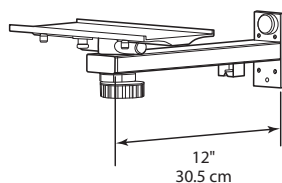
Moment Load: 60 lbs (27.2 kg)

Lateral Range of Motion



Wall Mount

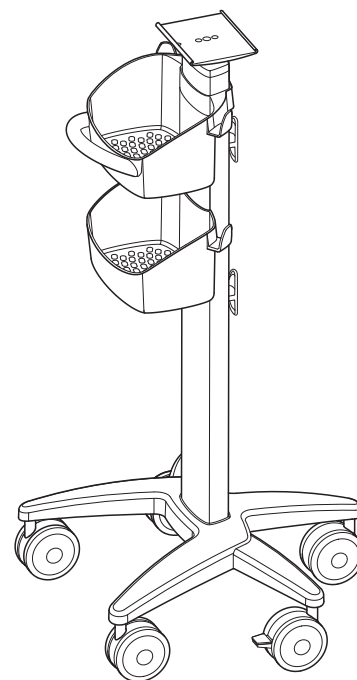
Moment Load: 80 lbs (36.3 kg)



Rolling Stand

Dimension: 47" (H) x 27" (W) x 27" (D)
119.4 cm (H) x 68.6 cm (W) x 68.6 cm (D)

Moment Load: 35 lbs (15.9 kg)



Mindray DS USA, Inc.

800 MacArthur Blvd., Mahwah, NJ 07430

Tel: 800.288.2121 Tel: 201.995.8000 Fax: 800.926.4275 www.mindray.com

©2015 Mindray DS USA, Inc.

Mindray® is a registered trademark of Shenzhen Mindray Bio-Medical Electronics Co., Ltd.

06/15 P/N: 0002-08-8017 Rev A

mindray
NORTH AMERICA