

Passport® 8

Specifications

Physical Dimensions

Monitor Size: 22.4 cm (H) x 13.5 cm (D) x 24.2 cm (W)
8.8" (H) x 5.3"(D) x 9.5" (W)

Weight: 3.5 kg (7.8 lbs) (Standard parameters configuration, including a lithium battery and a recorder)

Input/Output Communications ECG Analog Output Specification

Bandwidth (-3dB; reference frequency: 10Hz)

Diagnostic Mode: 0.05 to 150 Hz

Monitor Mode: 0.5 to 40 Hz

Surgical Mode: 1 to 20 Hz

Monitor QRS Delay: ≤ 25 ms (in diagnostic mode, and non-paced)

Sensitivity: 1V/mV ±5%

Pacer Enhancement

Amplitude: $V_{oh} \geq 2.5V$

Width: 10 ms ±5%

Signal Rising and Falling Time: ≤ 100µs

Communication Protocol

DIAP Communication Protocol

HL7 Communication Protocol

Electrical Ratings

Power Supply: AC power, battery

AC Mains Power Source

AC Power: 100 to 240 VAC (±10%)

Current: 1.3 to 0.5 A

AC Power Input Frequency: 50/60 Hz (±3Hz)

Environmental Conditions

Temperature Range

Operating: 10°C to 40°C

Non-operating (storage): -20°C to 60°C

Humidity Range

Operating: 15% to 95%, non-condensing

Non-operating (storage): 10% to 95%, non-condensing

Altitude Range

Operating: (-1,000 to 9,841 feet ASL)
1,074 hPa to 700 hPa
(806 mmHg to 394 mmHg)

Non-operating (storage): (-1,000 to 15,000 feet ASL)
1,074 hPa to 700 hPa



(806 mmHg to 394 mmHg)

Monitor Interface

1 AC Power Input

Connectors:

1 RJ45 connector, 100 Base-TX, IEEE 802.3

1 VGA connector

2 USB 2.0

1 Equipotential Grounding Terminal

1 Multifunctional connector: Outputs defibrillator synchronization signals, nurse call signals and analog output signals

Battery

Type: Chargeable Lithium-Ion, 11.1DVC, 4.5 Ah

Number of Batteries: 1

Run Time: 6 hours when powered by a new fully-charged battery (25°C, SpO₂ sensor and ECG cable connected, Temp cable not connected, Auto NIBP measurements at an interval of 15 minutes)

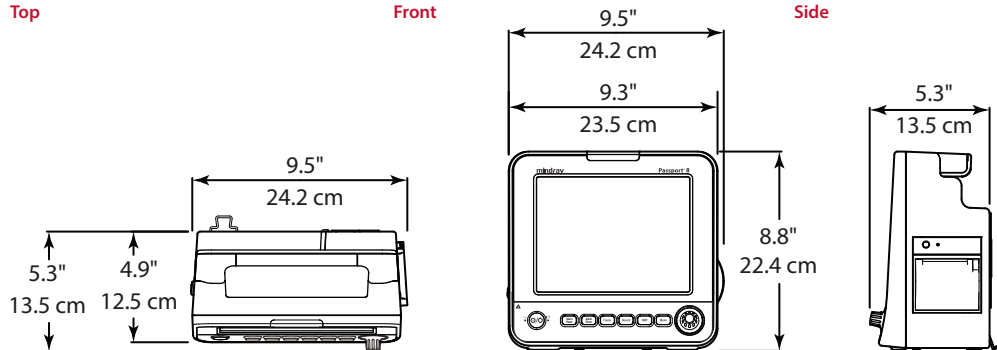
Charge Time: Less than 3 hours to 90%, and less than 4 hours to 100% when the monitor is off.
Less than 8 hours to 90%, and less than 12 hours to 100% when the monitor is on.

Shutdown Delay: at least 20 min (after a low battery alarm first occurs)

Top

Front

Side



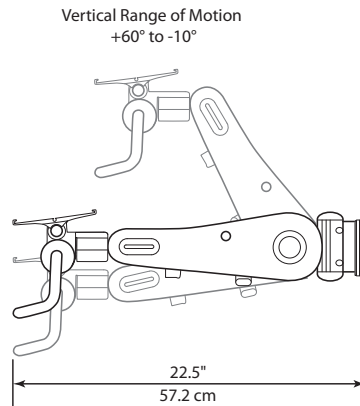
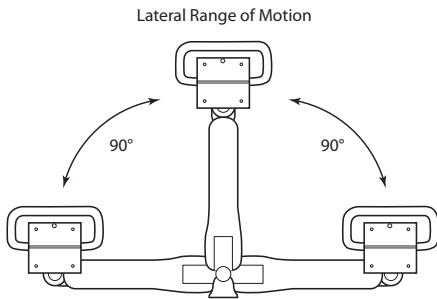
Passport® 8

Specifications

Mounting Solutions

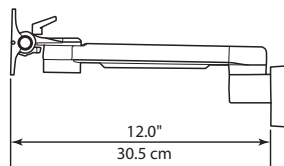
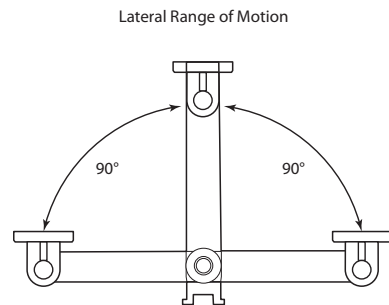
Variable Height Mount (VHM)

Moment Load: 40 lbs (18.1 kg)



Pivot Arm Wall Mount

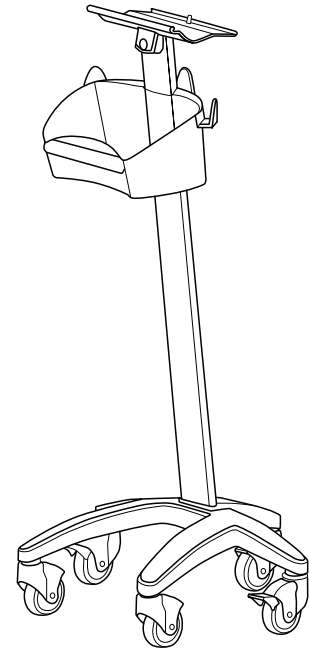
Moment Load: 60 lbs (27.2 kg)



Rolling Stand

Dimension: 47" (H) x 27" (W) x 27" (D)
119.4 cm (H) x 68.6 cm (W)
x 68.6 cm (D)

Moment Load: 35 lbs (15.9 kg)
Max Head Tilt: 10 degrees



Mindray DS USA, Inc.
800 MacArthur Blvd., Mahwah, NJ 07430
Tel: 800.288.2121 Tel: 201.995.8000 Fax: 800.926.4275 www.mindray.com

©2015 Mindray DS USA, Inc.
Mindray® is a registered trademark of Shenzhen Mindray Bio-Medical Electronics Co., Ltd.
03/15 P/N: 0002-08-8002 Rev B

mindray
NORTH AMERICA